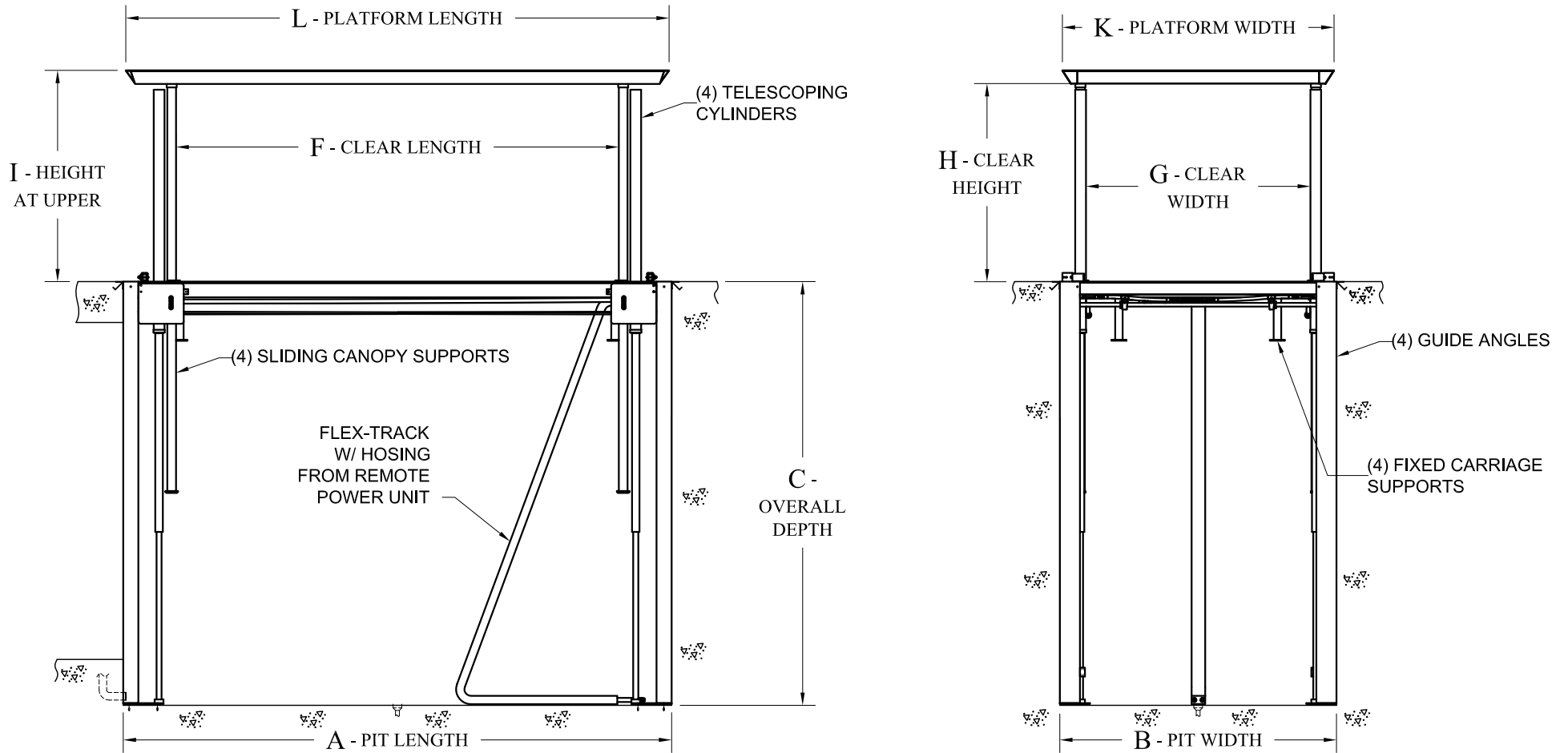


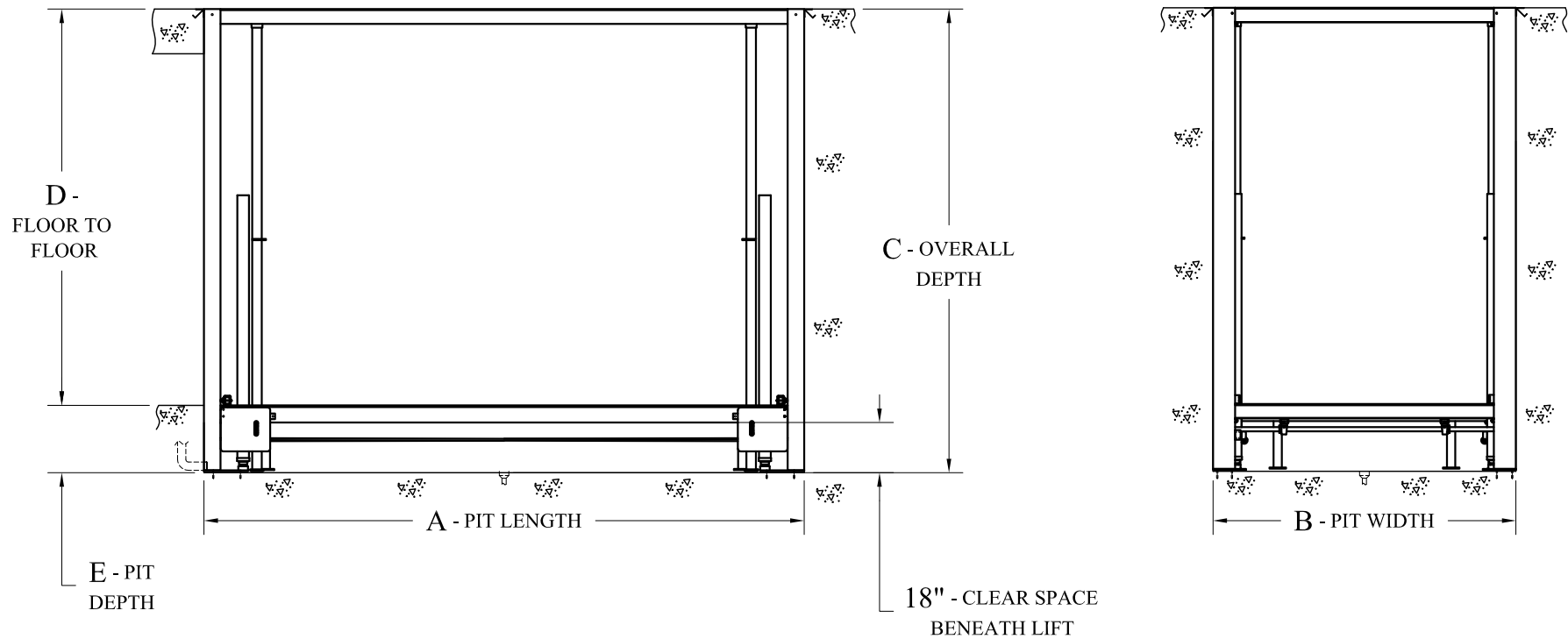
**4-POST SUBTERRANEAN LIFT - TELESCOPING**  
**GENERAL ARRANGEMENT**  
(PATENT PENDING)



(NOT TO SCALE)  
PROPOSAL DRAWING  
QUOTE NO. \_\_\_\_\_  
REV. 0 - 07/26/10  
COPYRIGHT RESERVED 2010  
AUTOQUIP CORPORATION  
82602540

**ELEVATION VIEW**  
LIFT IN RAISED POSITION

**4-POST SUBTERRANEAN LIFT - TELESCOPING  
GENERAL ARRANGEMENT  
(PATENT PENDING)**

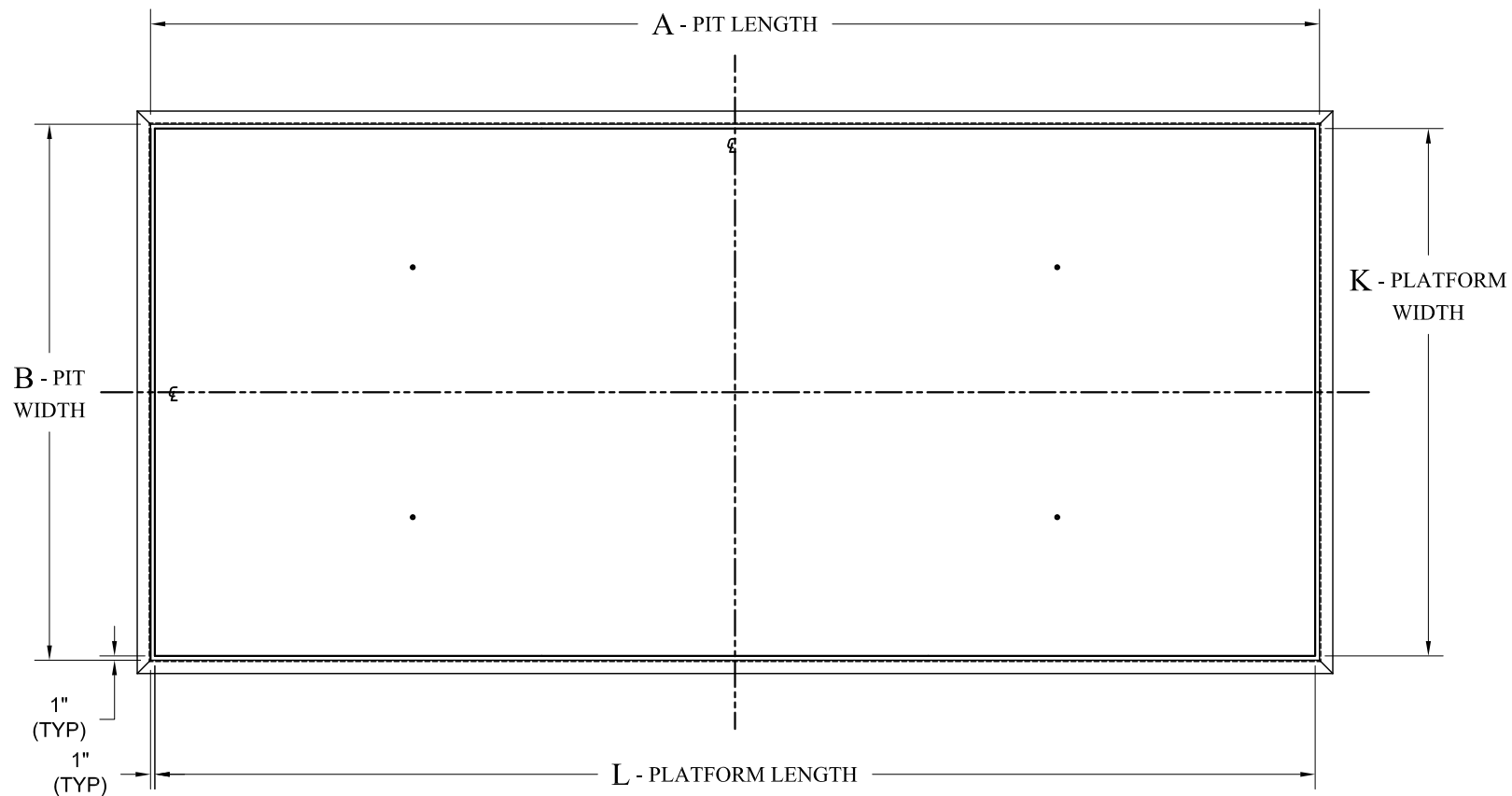


(NOT TO SCALE)  
 PROPOSAL DRAWING  
 QUOTE NO. \_\_\_\_\_  
 REV. 0 - 07/26/10  
 COPYRIGHT RESERVED 2010  
 AUTOQUIP CORPORATION  
 82602540

**ELEVATION VIEW  
LIFT IN LOWERED POSITION**

***Autoquip***  
 AUTOQUIP CORP.  
 1058 W. INDUSTRIAL AVE.  
 GUTHRIE, OK 73044-1058  
 888-811-9876 WWW.AUTOQUIP.COM

**4-POST SUBTERRANEAN LIFT - TELESCOPING**  
**GENERAL ARRANGEMENT**  
**(PATENT PENDING)**

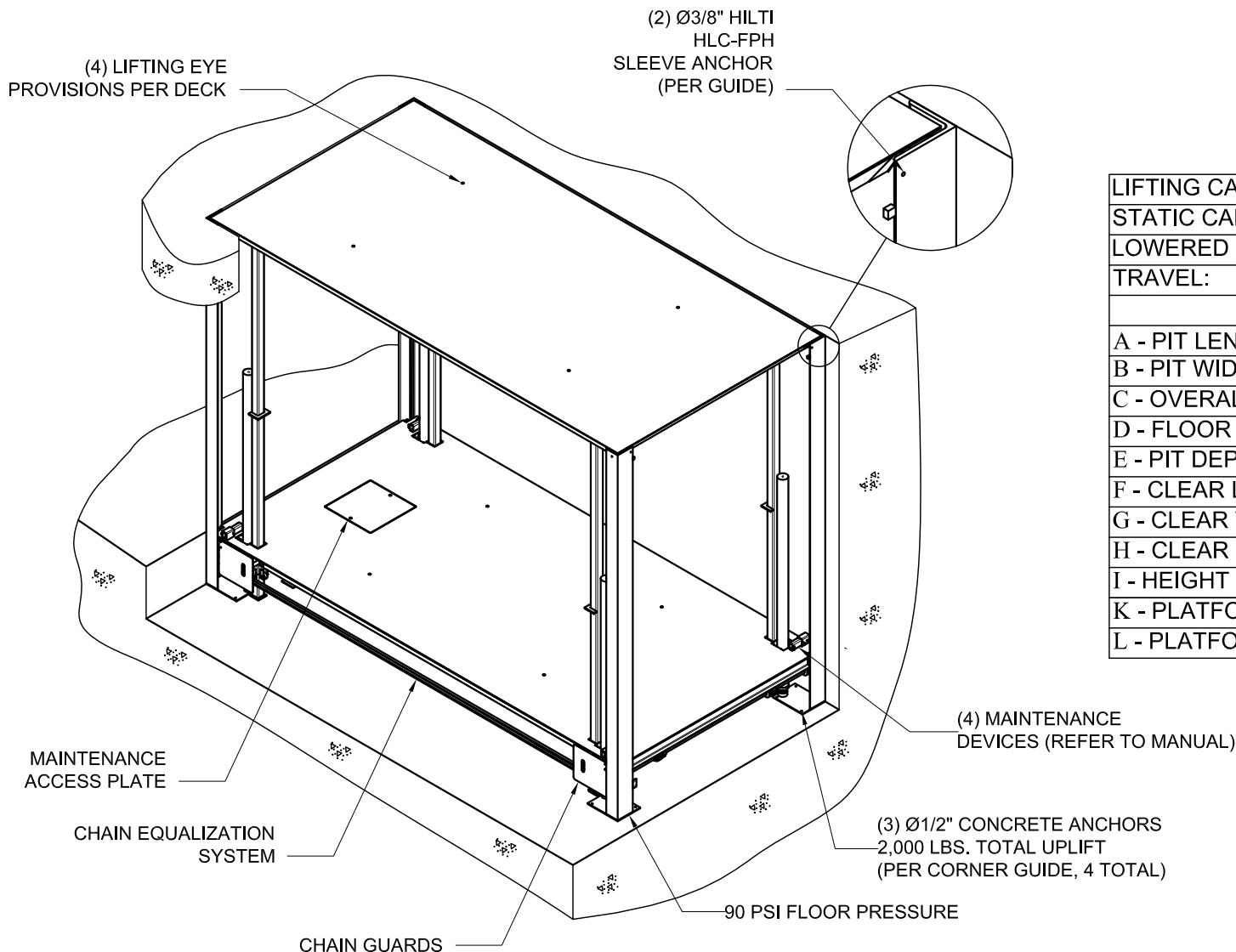


**TOP VIEW**  
**CANOPY - UPPER FLOOR OPENING**

(NOT TO SCALE)  
PROPOSAL DRAWING  
QUOTE NO. \_\_\_\_\_  
REV. 0 - 07/26/10  
COPYRIGHT RESERVED 2010  
AUTOQUIP CORPORATION  
82602540

***Autoquip***  
AUTOQUIP CORP.  
1058 W. INDUSTRIAL AVE.  
GUTHRIE, OK 73044-1058  
888-811-9876 WWW.AUTOQUIP.COM

**4-POST SUBTERRANEAN LIFT - TELESCOPING  
GENERAL ARRANGEMENT  
(PATENT PENDING)**



LIFTING CAPACITY:		LBS. TOTAL
STATIC CAPACITY:		LBS. PER DECK
LOWERED HEIGHT:		INCHES
TRAVEL:		INCHES (APPROX)

DIMENSIONS KEY	
A - PIT LENGTH	
B - PIT WIDTH	
C - OVERALL DEPTH	
D - FLOOR TO FLOOR	
E - PIT DEPTH	
F - CLEAR LENGTH	
G - CLEAR WIDTH	
H - CLEAR HEIGHT	
I - HEIGHT AT UPPER	
K - PLATFORM WIDTH	
L - PLATFORM LENGTH	

EQUATION KEY	
A = L + 2"	
B = K + 2"	
E = M + 1/2"	
F = L - 40"	
G = K - 19"	
H = I - 6"	

(NOT TO SCALE)  
PROPOSAL DRAWING  
QUOTE NO. \_\_\_\_\_  
REV. 0 - 07/26/10  
COPYRIGHT RESERVED 2010  
AUTOQUIP CORPORATION  
82602540

**ISOMETRIC VIEW  
LIFT IN LOWERED POSITION**